



RACK MOUNTED HIGH POWER SOLID STATE MICROWAVE AMPLIFIER

Model: KHPA0206-100WR
2-6 GHz
100 Watt Amplifier



Patent Pending



RACK MOUNTED HIGH POWER SOLID STATE MICROWAVE AMPLIFIER

Model: KHPA0206-100WR

Description

The KHPA-0206 100WR is a high power rack mounted microwave amplifier that covers a 4 GHz range in the 2-6 GHz Band. The amplifier provides an output of 100 watts. A number of options are available depending on customer requirements. Local/Remote switching is provided for those needing remote operation.

Key Features

- ◆ Wideband
- ◆ USB control
- ◆ Built-in sequencing
- ◆ No high voltages
- ◆ Low noise
- ◆ Contains power supplies and heat removal heat sinks and fans

Applications

- ◆ Communications
- ◆ Antenna Testing

Options

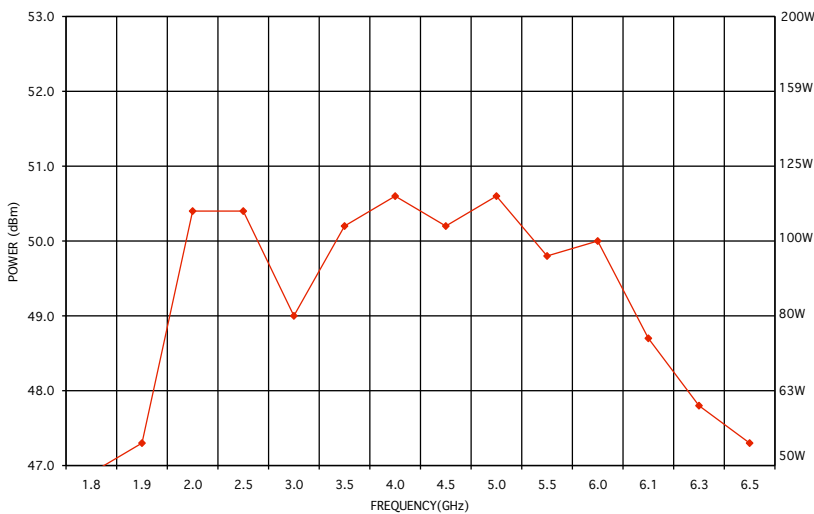
- ◆ Connectors or waveguide to meet requirements
- ◆ Pulsed capability
- ◆ Higher gain



RACK MOUNTED HIGH POWER SOLID STATE MICROWAVE AMPLIFIER

Model: KHPA0206-100WR

KERAGIS 2-6 GHz 100W PA
MODEL KHPA0206-100WI SN201



Specifications at 25° C

Electrical

Frequency Range	2-6 GHz
Saturated Power Out	100 Watts TYP
Gain	60 dB MIN
In/Out VSWR	< 2:1
In/Out Impedance	50 Ω
AC Power	110/240 VAC 50/60 Hz
Noise Figure	5 dB TYP

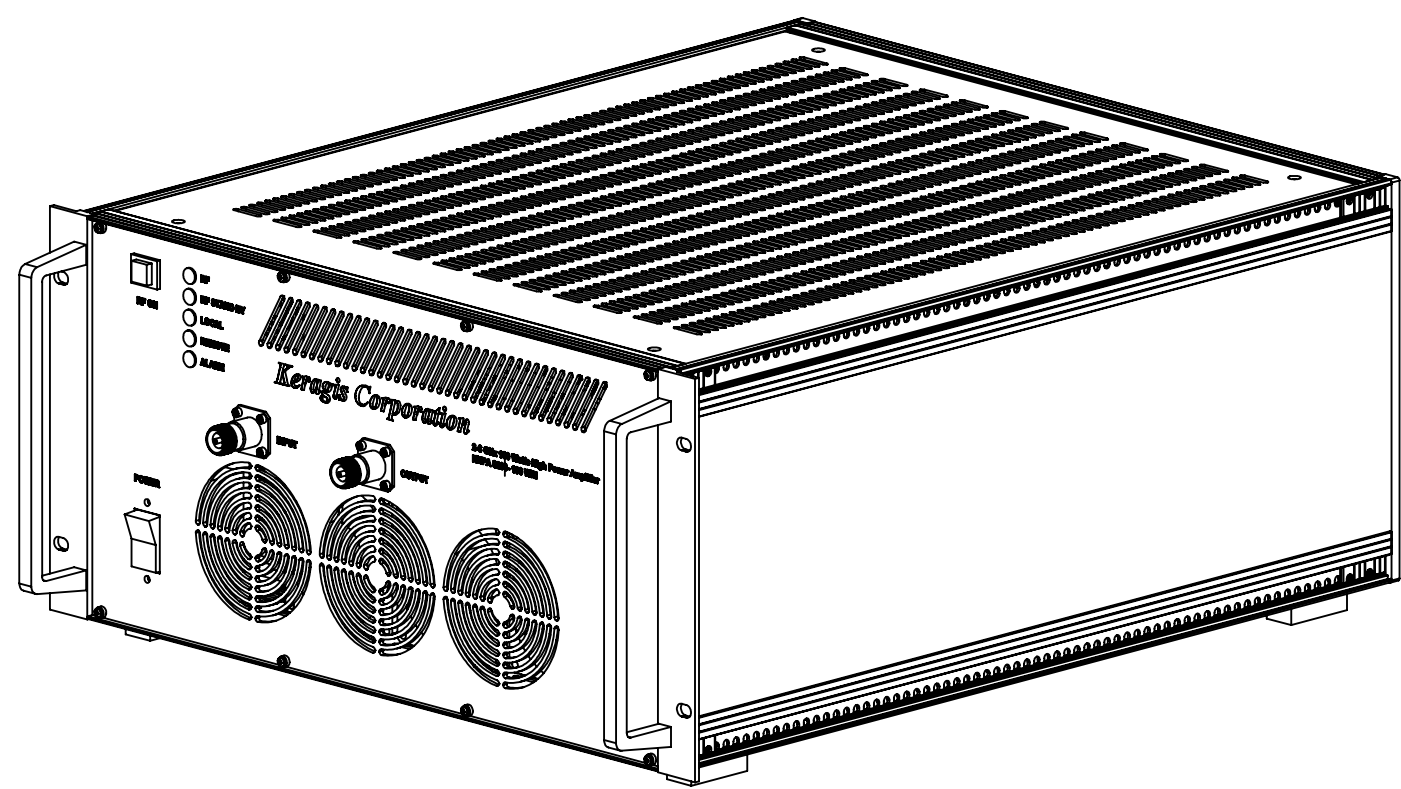
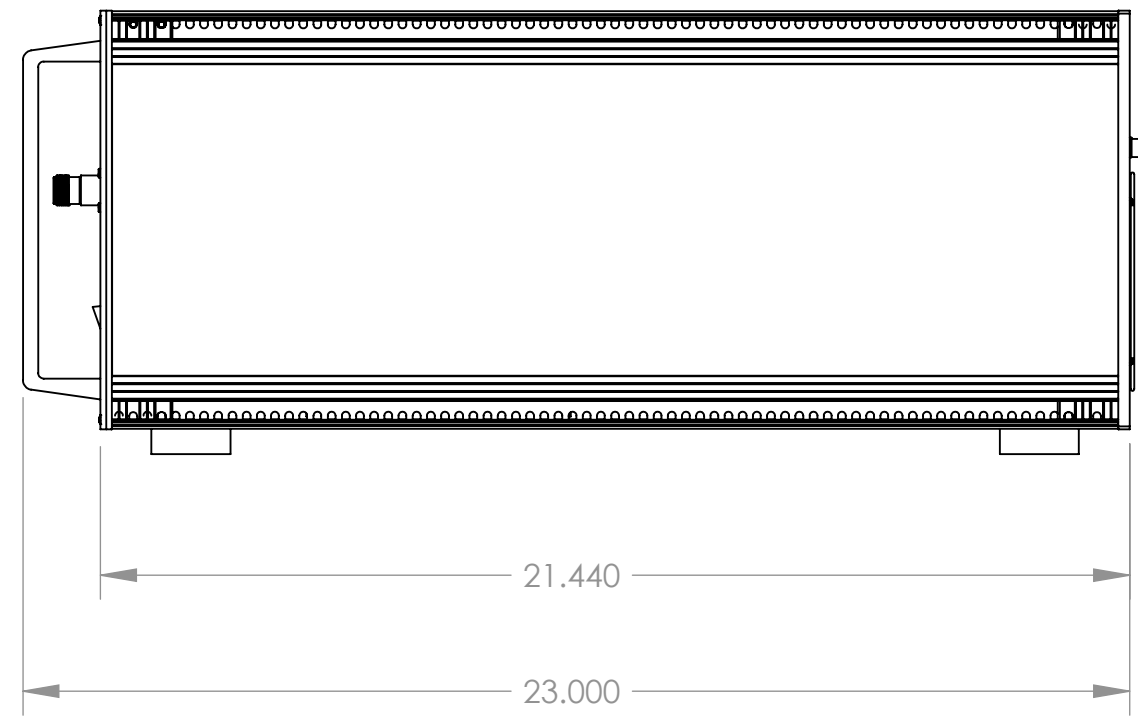
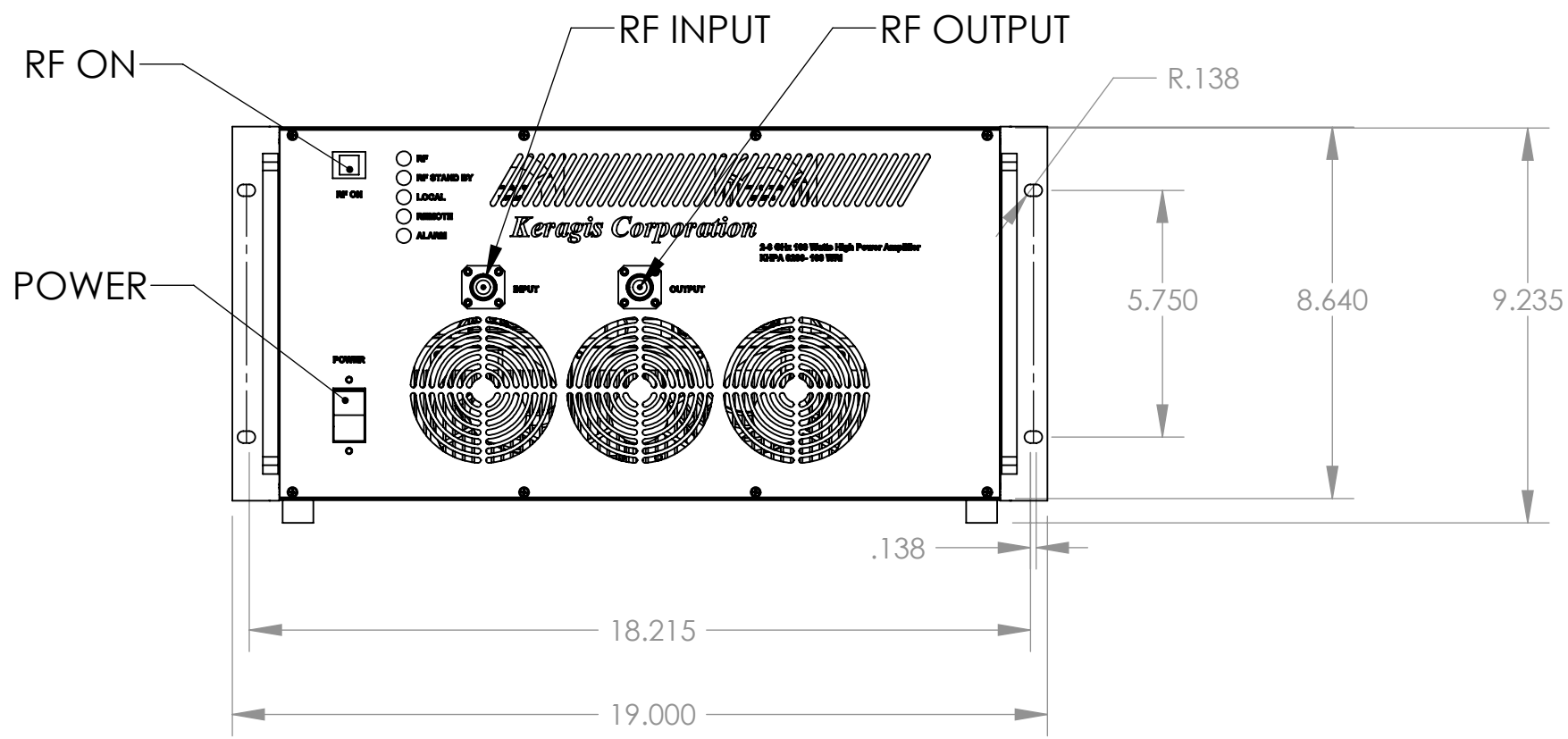
Mechanical

Dimensions	5U (19" Rack Mount) 21.5" Deep
Local Remote	USB
Connectors (RF In/Out)	"N" Female
Grounding	Chassis

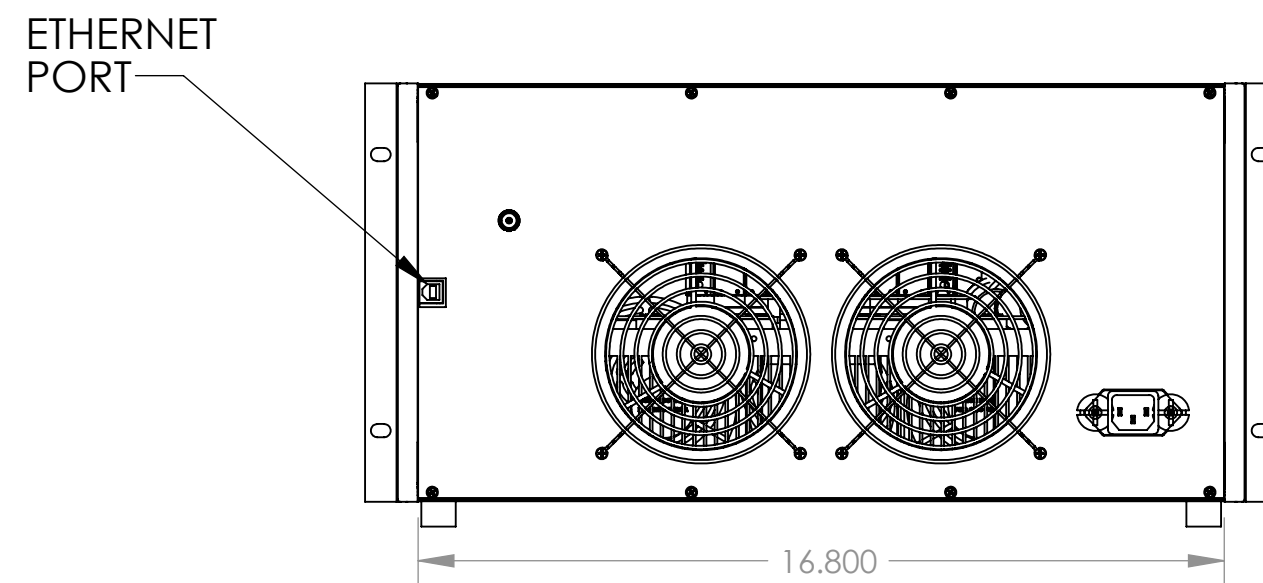
Environmental

Operating Temperature	- 40° to + 50° C
Operating Humidity	95% Non Condensing

REVISIONS				
ZONE	LTR	DESCRIPTION	DATE	APVD
	A	INITIAL RELEASE	09/07/09	
	B	CHANGE CHASSI CONFIG	12/22/06	



DIMETRIC VIEW



PHYSICAL DESCRIPTION	
WEIGHT	50.00LBS
DIMENSIONS	23.00"x19.00"x9.235"

PROPRIETARY NOTICE
 INFORMATION CONTAINED ON THIS DRAWING IS PROPRIETARY TO KERAGIS CORP. AND MAY NOT BE COPIED, REPRODUCED NOR PARTS MADE THEREFROM WITHOUT WRITTEN PERMISSION FROM KERAGIS CORP.

THIRD ANGLE PROJECTION	
UNLESS OTHERWISE SPECIFIED DIMENSIONS ARE IN INCHES AND TOLERANCES ARE: DECIMALS: .X ±.03 .XX ±.01 .XXX ±.005 ANGLES: ±1° SHEET METAL: .XX ±.03 .XXX ±.01	
THREAD FORM: EXTERNAL-CLASS 2A INTERNAL-CLASS 2B	SURFACE ROUGHNESS: 32 OR BETTER
DRILL HOLE TOLERANCES: .013 THRU .125 +.004/-.001 .126 THRU .250 +.005/-.001 .251 THRU .500 +.006/-.001 .501 THRU .750 +.008/-.001 .751 THRU 1.000 +.010/-.001	SHEETMETAL SLOTTED & ROUND HOLES: .016 THRU 1.000 ±.006

MATERIAL		KERAGIS CORP.®		12131 COMMUNITY RD POWAY, CA 92064	
FINISH		TITLE: KHPA 0206 100WRI			
DESIGNER	R. RECTOR 09/07/05	SIZE A	T0026	REV B	
DRAFTER	C. FLORES 12/22/06				
CHECKER					
DO NOT SCALE DRAWING		SCALE:	1:4	SHEET 1 OF 2	