



RACK MOUNTED HIGH POWER SOLID STATE MICROWAVE AMPLIFIER

Model: KHPA0618-100WR
6-18 GHz
100 Watt Amplifier



Patent Pending



RACK MOUNTED HIGH POWER SOLID STATE MICROWAVE AMPLIFIER

Model: KHPA0618-100WR

Description

The KHPA-0610 100WR is a high power rack mounted microwave amplifier that covers a 12 GHz range in the 6-18 GHz Band. The amplifier provides an output of 100 watts. A number of options are available depending on customer requirements. Local/Remote switching is provided for those needing remote operation.

Key Features

- ◆ Wideband
- ◆ USB control
- ◆ Built-in sequencing
- ◆ No high voltages
- ◆ Low noise
- ◆ Contains power supplies and heat removal heat sinks and fans

Applications

- ◆ Communications
- ◆ Antenna testing

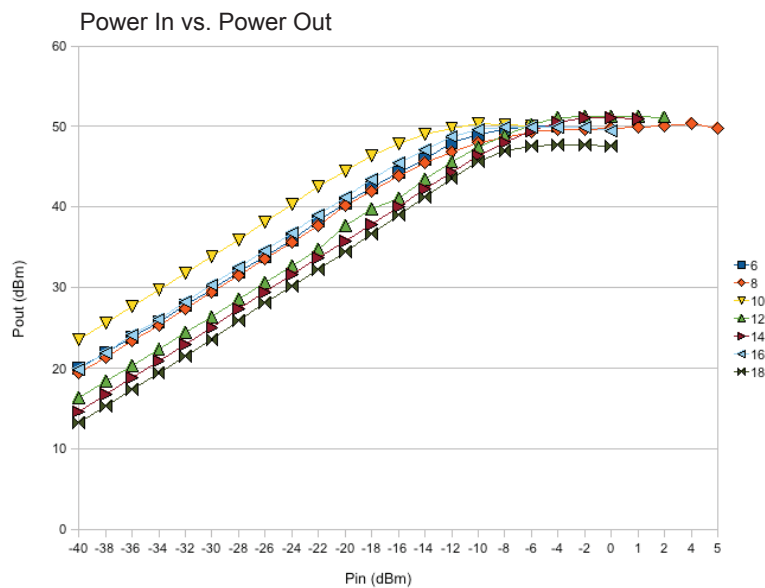
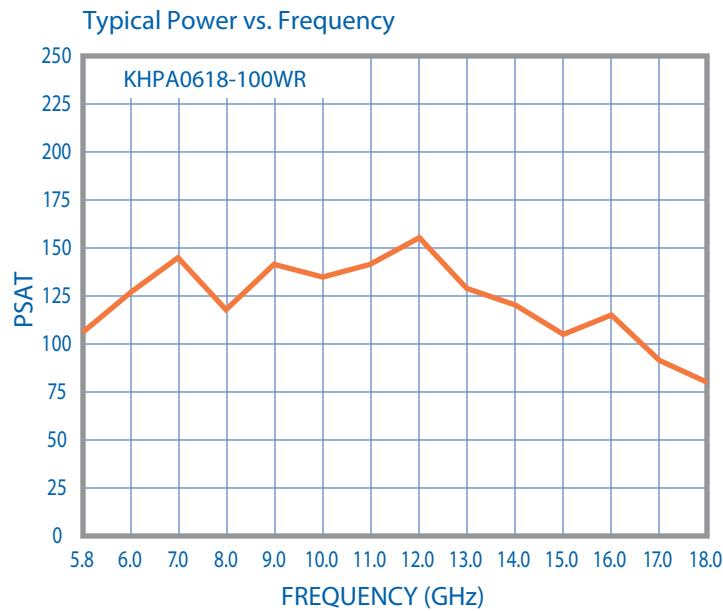
Options

- ◆ Connectors or waveguide to meet requirements
- ◆ Pulsed capability
- ◆ Higher gain



RACK MOUNTED HIGH POWER SOLID STATE MICROWAVE AMPLIFIER

Model: KHPA0618-100WR



Specifications at 25° C

Electrical

Frequency Range	6-18 GHz
Saturated Power Out	100 Watts TYP
Gain	60 dB MIN
In/Out VSWR	< 2:1
In/Out Impedance	50 Ω
AC Power	110/240 VAC 50/60 Hz
Noise Figure	5 dB TYP

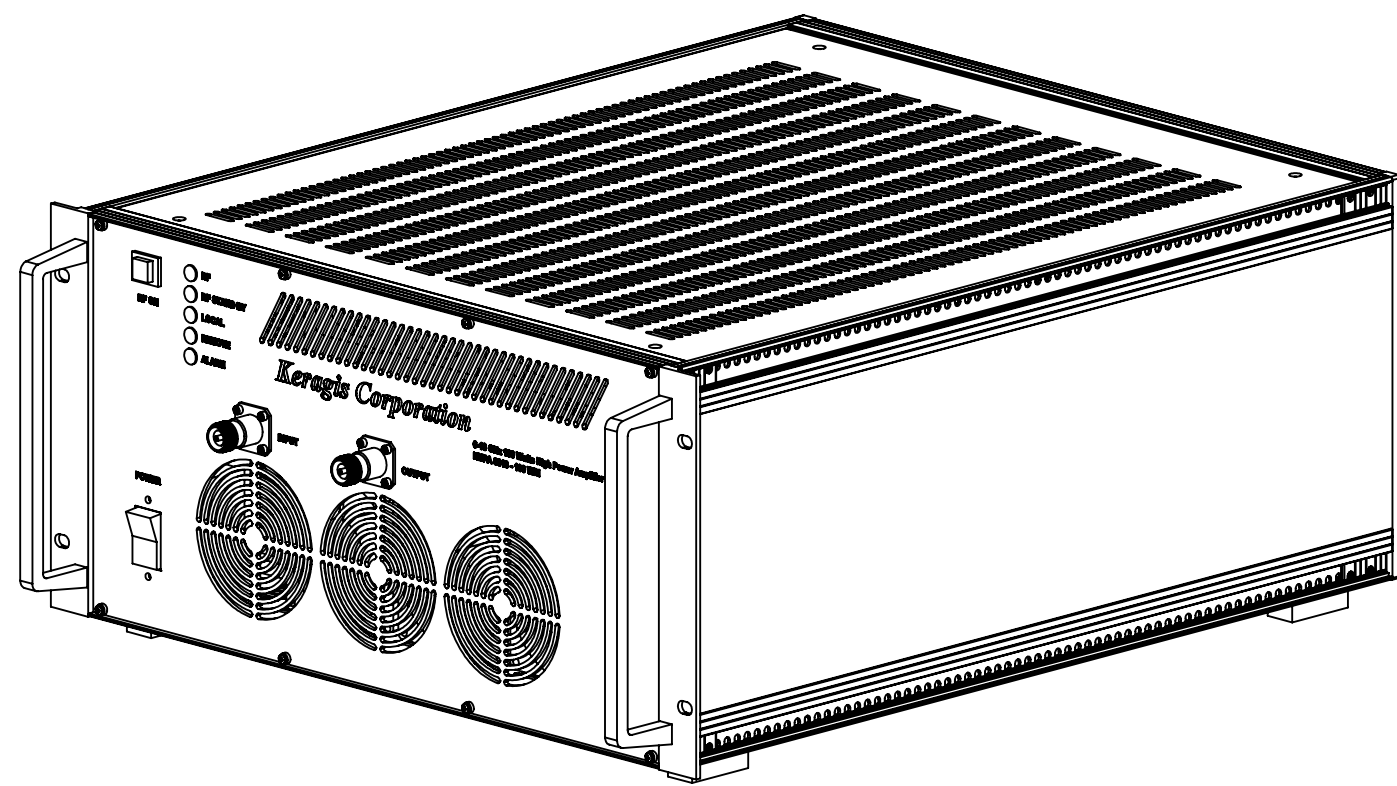
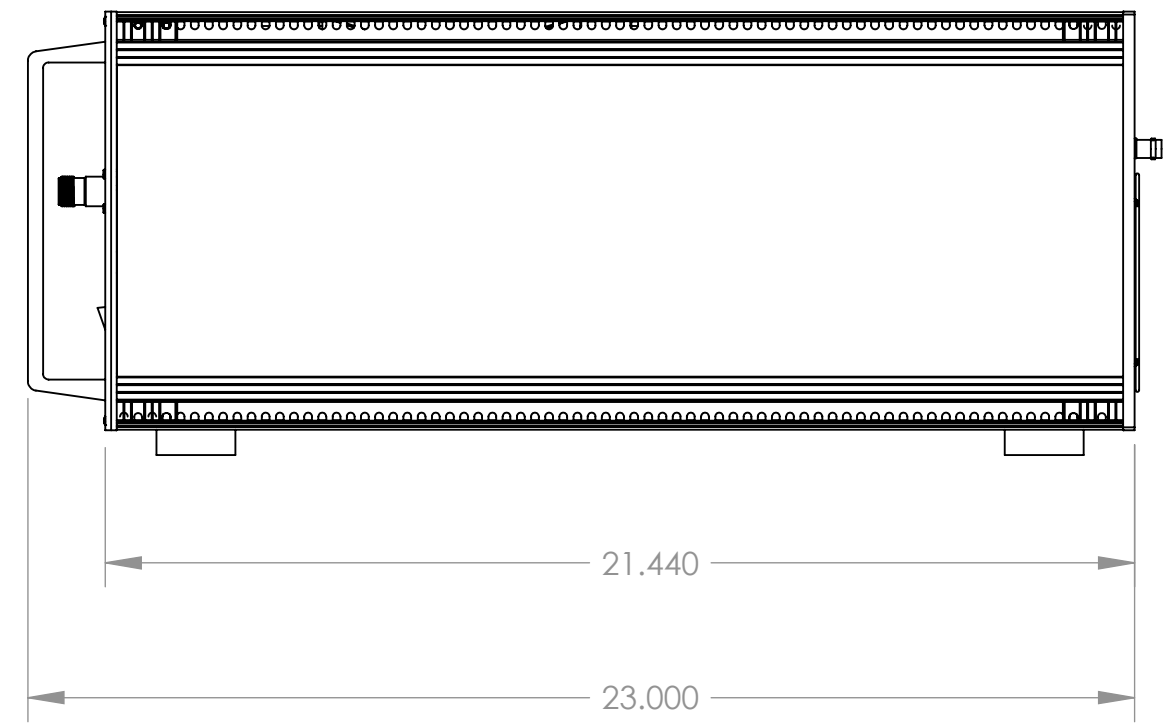
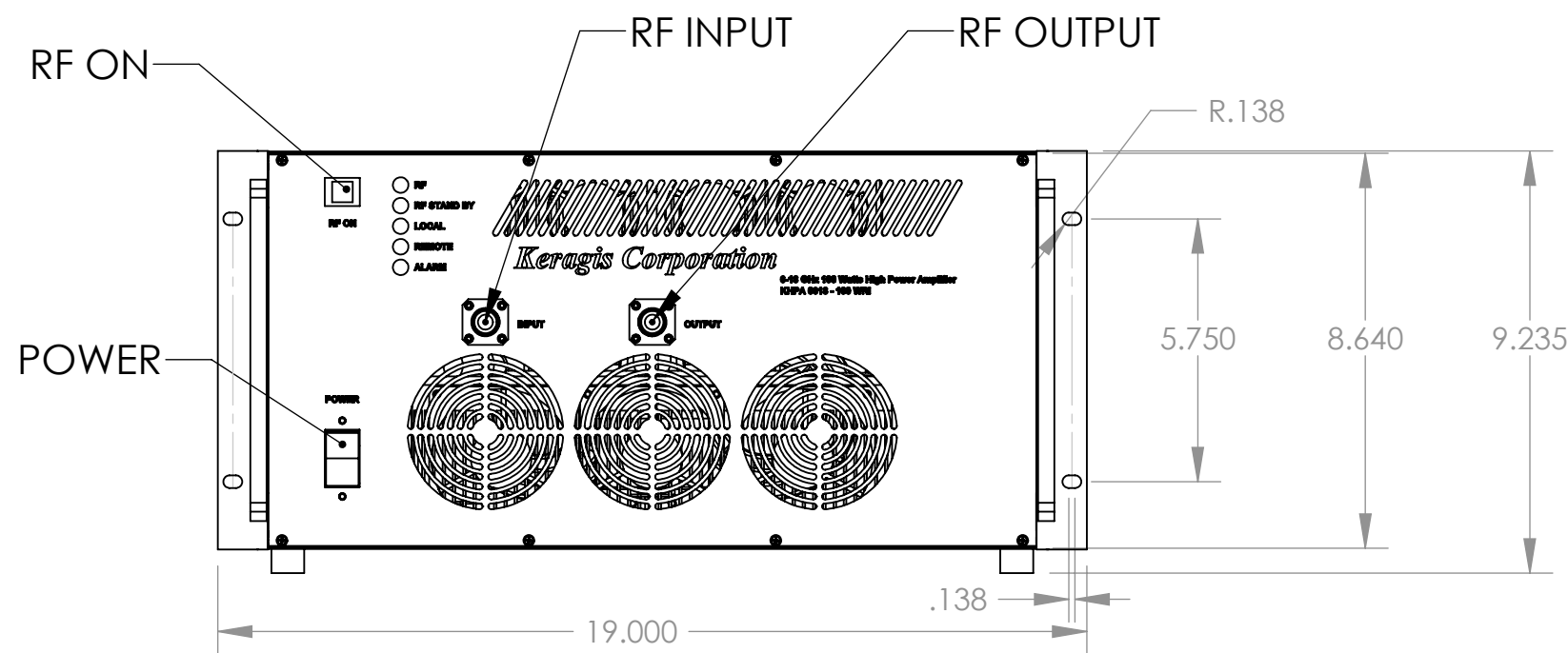
Mechanical

Dimensions	5U (19" Rack Mount) 21.5" Deep
Local Remote	USB
Connectors (RF In/Out)	"N" Female
Grounding	Chassis

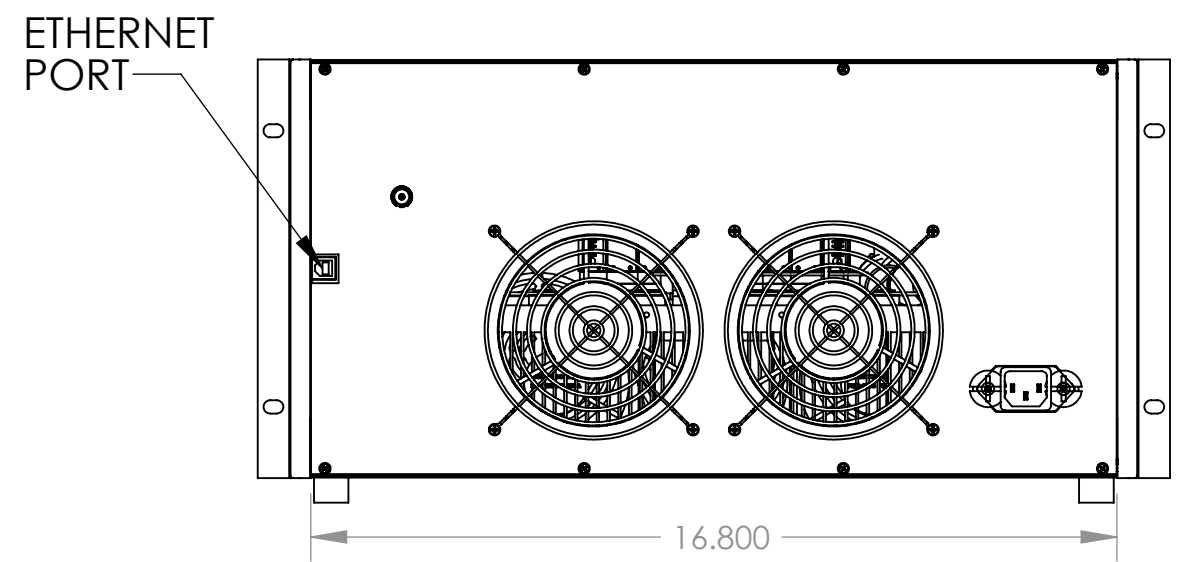
Environmental

Operating Temperature	- 40° to + 50° C
Operating Humidity	95% Non Condensing

REVISIONS				
ZONE	LTR	DESCRIPTION	DATE	APVD
	A	INITIAL RELEASE	09/07/09	
	B	CHANGE CHASSI CONFIG	12/22/06	



DIMETRIC VIEW



PHYSICAL DESCRIPTION	
WEIGHT	61.00LBS
DIMENSIONS	23.00"x19.00"x9.325"

PROPRIETARY NOTICE

INFORMATION CONTAINED ON THIS DRAWING IS PROPRIETARY TO KERAGIS CORP. AND MAY NOT BE COPIED, REPRODUCED NOR PARTS MADE THEREFROM WITHOUT WRITTEN PERMISSION FROM KERAGIS CORP.

THIRD ANGLE PROJECTION	
UNLESS OTHERWISE SPECIFIED DIMENSIONS ARE IN INCHES AND TOLERANCES ARE:	
DECIMALS: .X ±.03 .XX ±.01 .XXX ±.005	ANGLES: ± 1°
THREAD FORM: EXTERNAL-CLASS 2A INTERNAL-CLASS 2B	SHEET METAL: METAL: .XX ±.03 .XXX ±.01
DRILL HOLE TOLERANCES: .013 THRU .125 +.004/-.001 .126 THRU .250 +.005/-.001 .251 THRU .500 +.006/-.001 .501 THRU .750 +.008/-.001 .751 THRU 1.000 +.010/-.001	SURFACE ROUGHNESS: 32 OR BETTER
	SHEETMETAL SLOTTED & ROUND HOLES: .016 THRU 1.000 ±.006

MATERIAL

KERAGIS CORP.®

12131 COMMUNITY RD
POWAY, CA 92064

FINISH	
DESIGNER	R. RECTOR 09/07/05
DRAFTER	C. FLORES 12/22/06
CHECKER	

TITLE: **KHPA 0618 100WRI**

SIZE	A	REV	B
T0049			

DO NOT SCALE DRAWING

SCALE: 1:4

SHEET 1 OF 2