

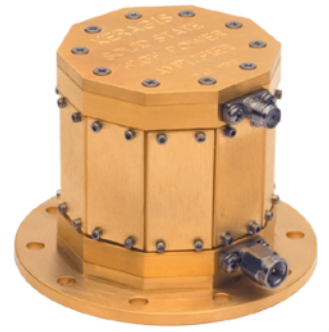


## HIGH POWER SOLID STATE MICROWAVE AMPLIFIER

Model: KHPA0810-80W  
8-10 GHz  
80 Watt Amplifier



Patent Pending



## HIGH POWER SOLID STATE MICROWAVE AMPLIFIER

Model: KHPA0810-80W

### Description

The KHPA-0810-80W is a high power microwave amplifier that covers from 8-10 GHz. The amplifier provides an output of to 80 watts TYP. Built into the unit is a negative bias and a sequencer.

The DC power requirement is +8 VDC regulated. Keragis can also provide a regulator for other voltages that might be available. Additionally, gain, output connector configuration, and other parameters can be customized to meet specific requirements. Pulsed capability is also available.

NOTE: There are a number of configurations for the output connectors including both on top, both on bottom, one front and the other in back, or both forward facing. Different connector types are available.

### Applications

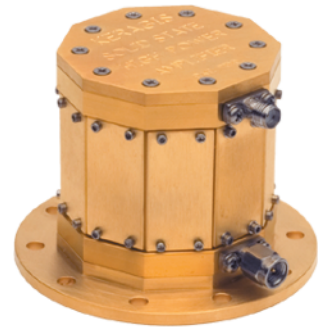
- ◆ Radar
- ◆ Communications
- ◆ Antenna testing

### Key Features

- ◆ Wideband
- ◆ Compact size
- ◆ Built-in sequencing
- ◆ Light weight (~1.8 lbs)
- ◆ Can be mounted at the antenna
- ◆ No high voltages
- ◆ Low noise

### Options

- ◆ Connectors to meet requirements
- ◆ Pulsed capability
- ◆ Higher gain



## HIGH POWER SOLID STATE MICROWAVE AMPLIFIER

Model: KHPA0810-80W

### Specifications at 25° C

#### Electrical

Frequency Range	8 -10GHz
Saturated Power Out	80 Watts TYP
Gain	20 dB TYP
In/Out VSWR	2:1
In/Out Impedance	50 $\Omega$
DC Power	+8 VDC

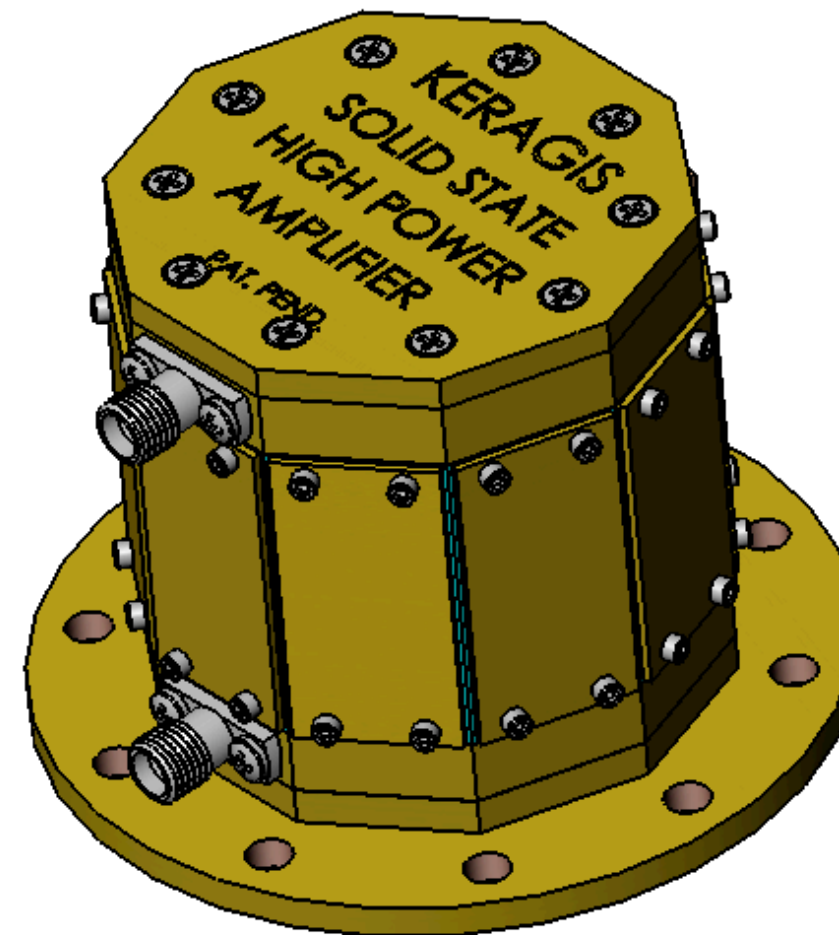
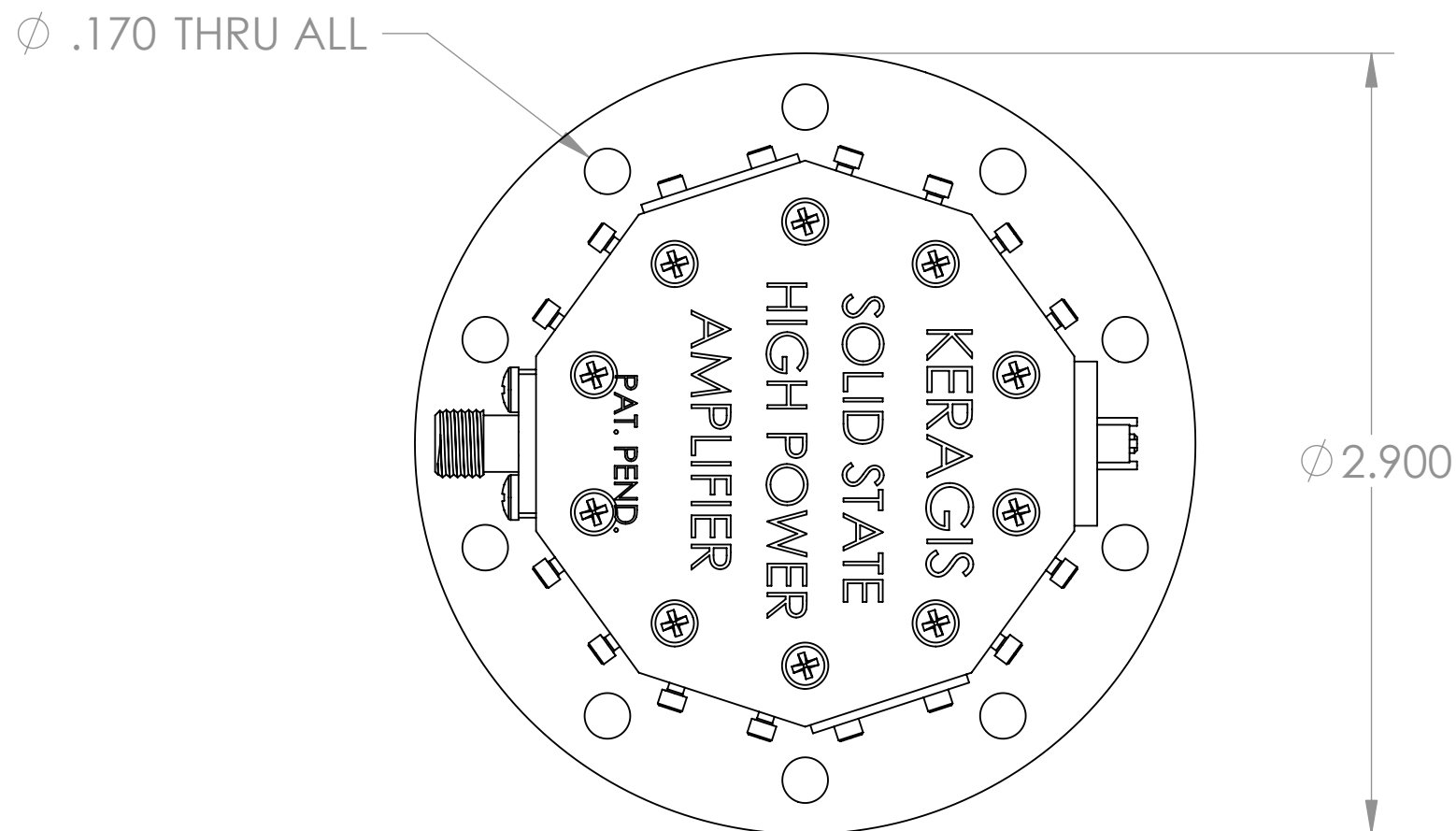
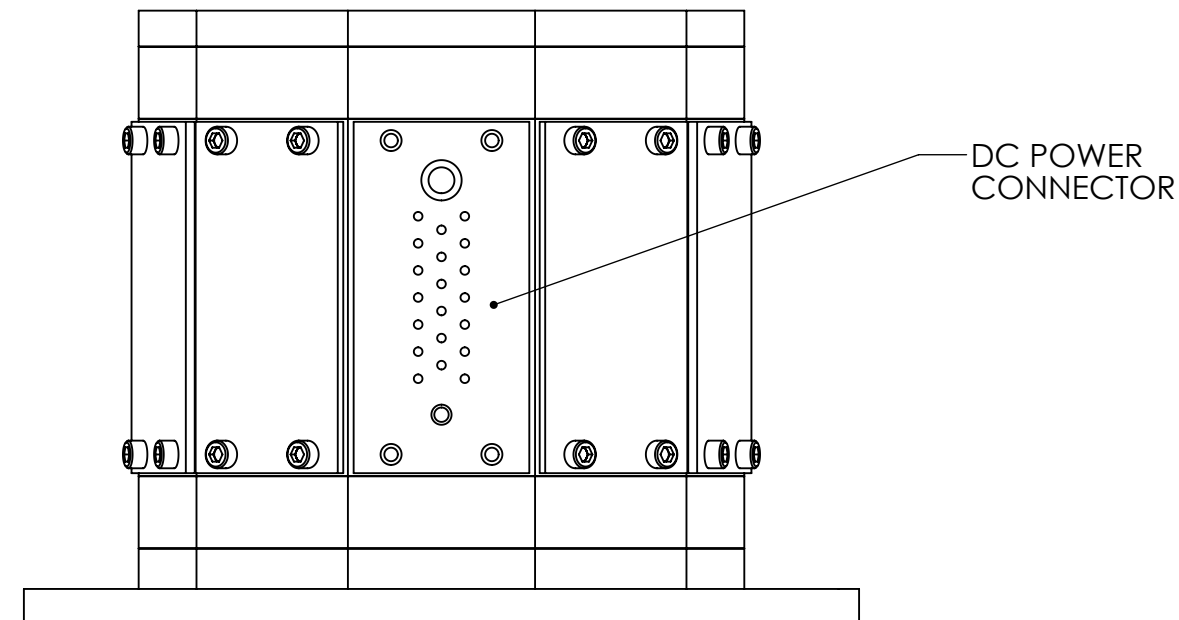
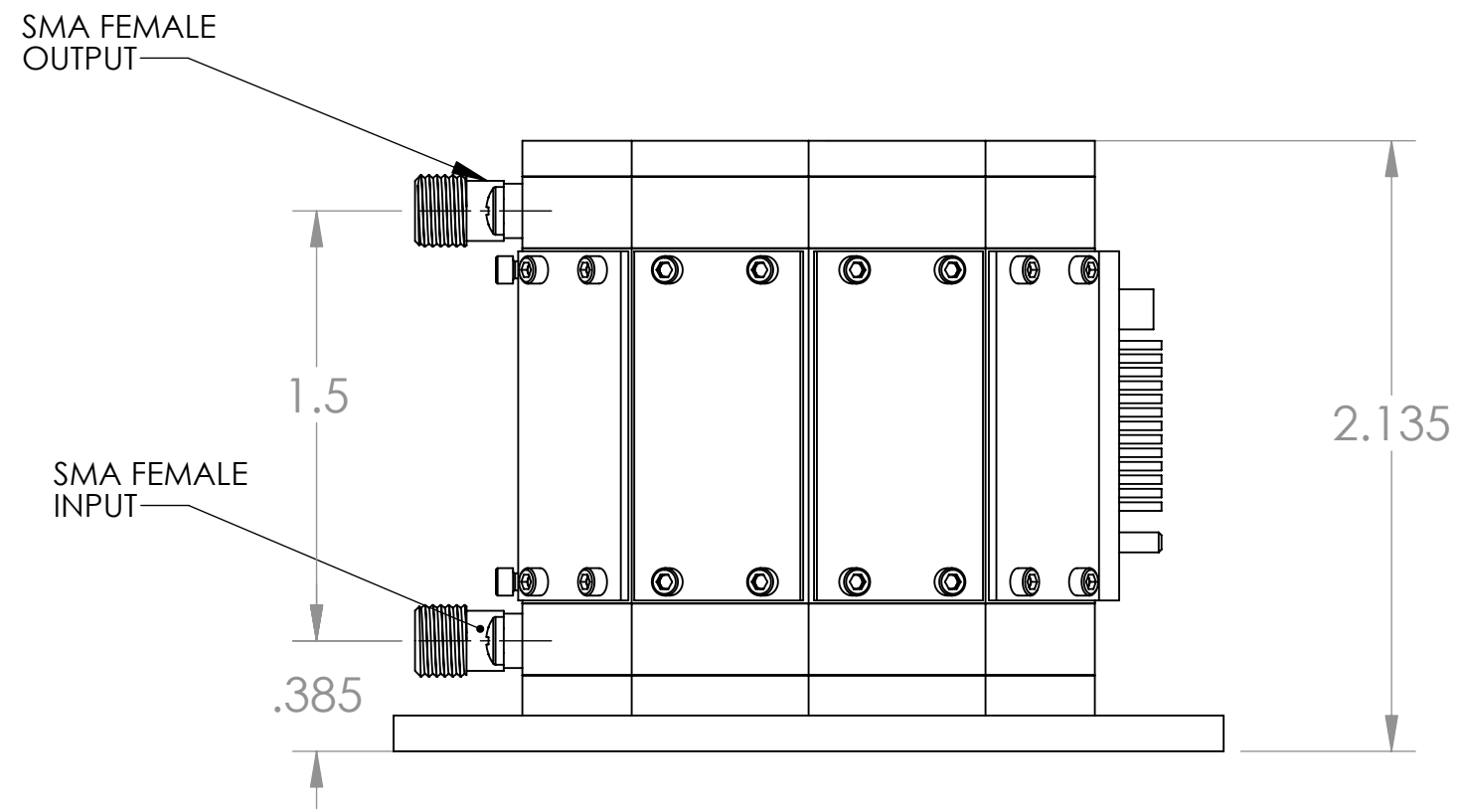
#### Mechanical

Dimensions (with mounting base)	2.1" x 2.355" x 2.9"
Weight	1.8 lbs
Connectors	SMA Female
Grounding	Chassis

#### Environmental

Operating Temperature	- 40° to + 50° C
Operating Humidity	100%

ZONE		LTR		REVISIONS		DATE	APVD
				DESCRIPTION			



ISOMETRIC VIEW

**PROPRIETARY NOTICE**  
 INFORMATION CONTAINED ON THIS DRAWING IS PROPRIETARY TO KERAGIS CORP. AND MAY NOT BE COPIED, REPRODUCED NOR PARTS MADE THEREFROM WITHOUT WRITTEN PERMISSION FROM KERAGIS CORP.

THIRD ANGLE PROJECTION	
UNLESS OTHERWISE SPECIFIED DIMENSIONS ARE IN INCHES AND TOLERANCES ARE: DECIMALS: .X ±.03 .XX ±.01 .XXX ±.005 ANGLES: ± 1° SHEET METAL: .XX ±.03 .XXX ±.01	
THREAD FORM: EXTERNAL-CLASS 2A INTERNAL-CLASS 2B	SURFACE ROUGHNESS: 32 OR BETTER
DRILL HOLE TOLERANCES: .013 THRU .125 +.004/-.001 .126 THRU .250 +.005/-.001 .251 THRU .500 +.006/-.001 .501 THRU .750 +.008/-.001 .751 THRU 1.000 +.010/-.001	SHEETMETAL SLOTTED & ROUND HOLES: .016 THRU 1.000 ±.006

<b>MATERIAL</b>		<b>KERAGIS CORP.®</b>		12131 COMMUNITY RD POWAY, CA 92064	
<b>FINISH</b>		TITLE: <b>POWER AMPLIFIER OUTLINE</b>			
DESIGNER	R. RECTOR 02/02/07	SIZE <b>A</b>	REV <b>B</b>		SHEET 1 OF 4
DRAFTER	C. FLORES 02/02/07				
CHECKER					
DO NOT SCALE DRAWING		SCALE: 4:1			